
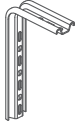



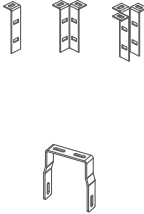

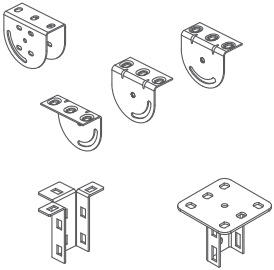


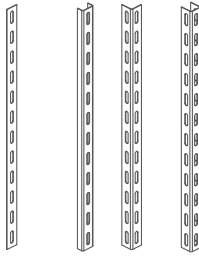

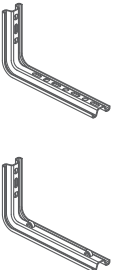
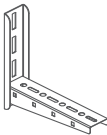

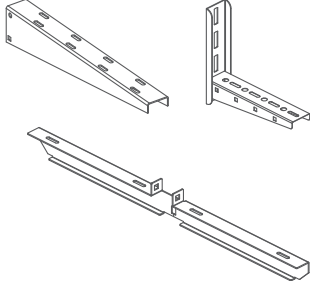




FEMI-CZ 0

ELEMENTI DI SOSPENSIONE E VITERIA / SUPPORT ELEMENTS AND SCREWS

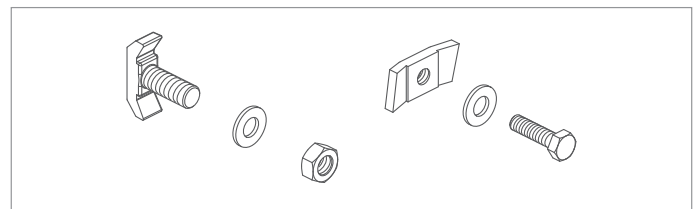
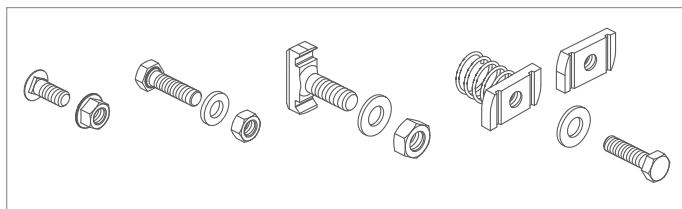
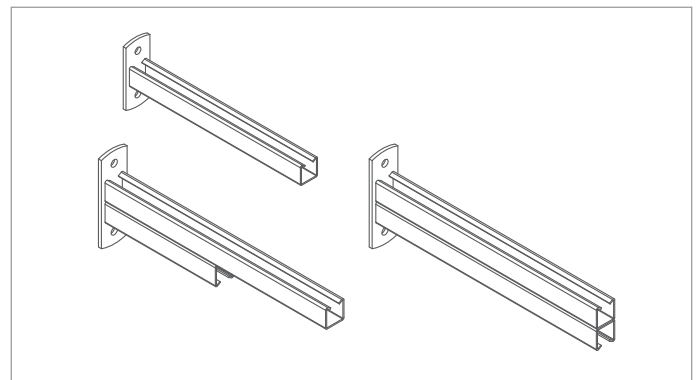
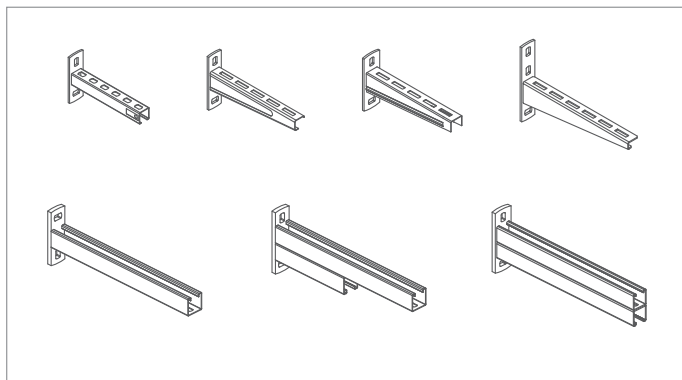
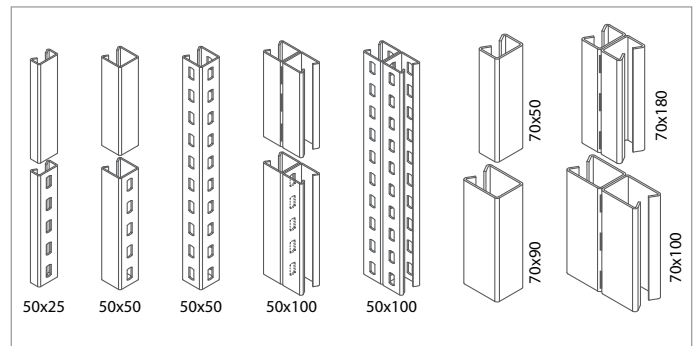
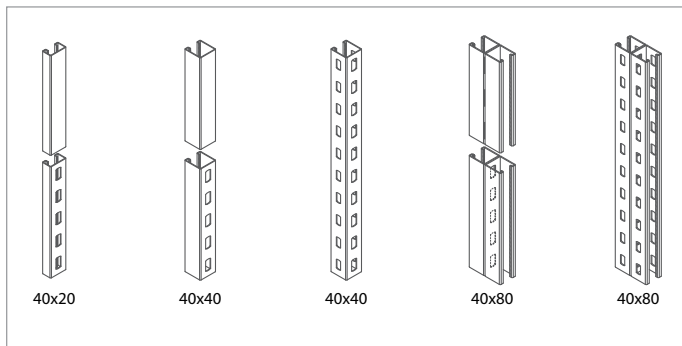
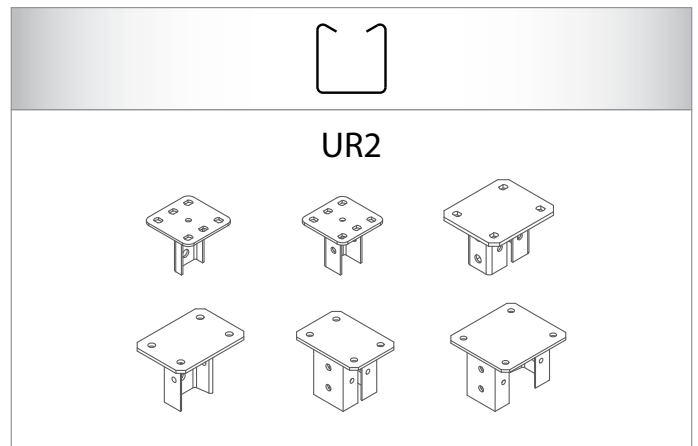
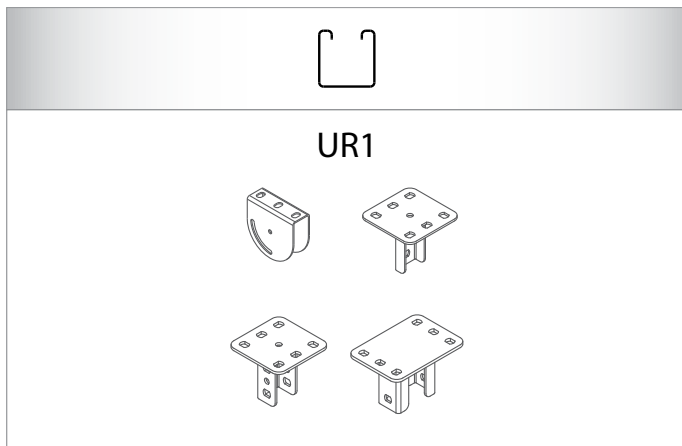
<p>SUPPORTI A SOFFITTO / PAVIMENTO / PARETE</p> <p>CEILING / FLOOR / WALL SUPPORTS</p>	 	 	 	 
<p>PROFILI CHANNELS</p>		 55x18		 50x30
<p>MENSOLE BRACKETS</p>				
<p>VITERIA BOLTS AND NUTS</p>	 			

STANDARD	E	Zincato Elettrolitico Electrolytic galvanized	Z	Zincato a caldo dopo lav. Hot-dip galvanized after manufac.	I	Acciaio Inox AISI 304 AISI 304 Stainless steel	J	AISI 304 Decontaminato AISI 304 Decontaminated	VARIANT	A	Lega di alluminio Aluminium alloy	
	S	Zincato Sendzimir Pre-galvanized Sendzimir	V	Sendzimir con Vernic. RAL 5012 Sendzimir with RAL 5012 Painted	Y	Acciaio Inox AISI 316L AISI 316L Stainless steel	N	AISI 316L Decontaminato AISI 316L Decontaminated		W	Zinc. a c. con Verniciatura RAL 5012 Hot-dip galv. with RAL 5012 Painted	



FEMI-CZ 0

ELEMENTI DI SOSPENSIONE E VITERIA / SUPPORT ELEMENTS AND SCREWS



STANDARD	E Zincato Elettrolitico Electrolytic galvanized	Z Zincato a caldo dopo lav. Hot-dip galvanized after manufac.	I Acciaio Inox AISI 304 AISI 304 Stainless steel	J AISI 304 Decontaminato AISI 304 Decontaminated	VARIANT	A Lega di alluminio Aluminium alloy	
	S Zincato Sendzimir Pre-galvanized Sendzimir	V Sendzimir con Vernic. RAL 5012 Sendzimir with RAL 5012 Painted	Y Acciaio Inox AISI 316L AISI 316L Stainless steel	N AISI 316L Decontaminato AISI 316L Decontaminated		W Zinc. a c. con Verniciatura RAL 5012 Hot-dip galv. with RAL 5012 Painted	